

## Bruest Catalytic Heaters FREEZ-FITER

### Freez-Fiter Heater Features:

- Used to heat gas supply to controllers, pilots and instrument regulators.
- Heat source - Bruest flameless catalytic heater.
- Natural Gas, Liquid Propane or butane. Alternate fuel requirements by special order.
- Low fuel consumption.
- CSA models suitable for use in Class I, Division 1 and 2, Group D locations.
- Single coil standard - dual coil model available.
- Model 912 regulator and maxitrol appliance regulator supplied with standard unit.



### Freez-Fiter Specifications:

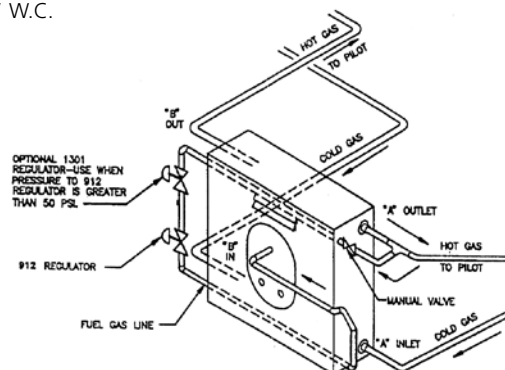
MODEL NO.	EXCHANGER COIL	HEATER	CASE DIMENSION
1800	3/8" OD. Type 304 Stainless Steel- Max Operating Pressure - 2,500 PSI Test Pressure - 5,000 PSI 1/4" NPT Coil Connections	Bruest-SR-8, Stainless Steel Case Start-up Voltage, 12 VDC or 120 VAC Natural Gas, 2,500 BTU/HR. 3 1/2" W.C. LP Gas, 1,745 BTU/HR. 11" W.C.	Size 12" x 12" x 4". with 1" Fiberglass Insulation - Stainless Steel Case
4000	Same as Above	Bruest-SR-12 Stainless Steel Case Start-up Voltage, 12 VDC or 120 VAC Natural Gas, 5,000 BTU/HR, 3 1/2" W.C. LP Gas, 3,920 BTU/HR, 11" W.C.	Size 16" x 16" x 4". with 1" Fiberglass Insulation - Stainless Steel Case

### Accessory Options:

- Preheat fuel gas tube
- High pressure fuel gas regulator - 6000 PSI max.
- Thermostat - 100°- 200°F range
- Battery lead assembly (12V models only.)
- Coils to 5000 PSI operating pressure.

### Pilot Operated Regulators:

- Grove Flexflow
  - American Axial Flow
  - Fisher 399 and 310
  - Mooney
  - Sprague
- Instrument Regulators  
Chromatographs



### SAMPLE DUAL COIL INSTALLATION

